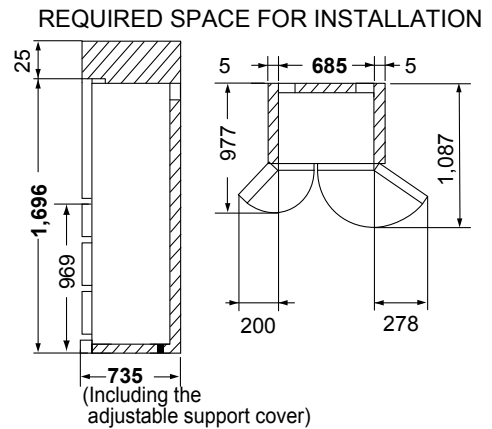
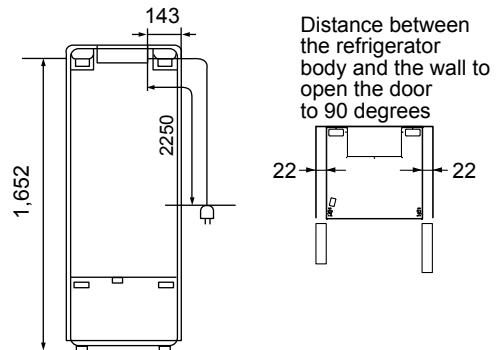
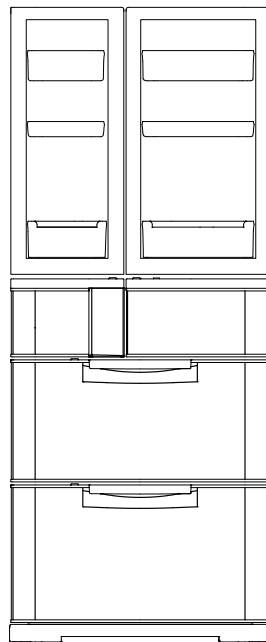
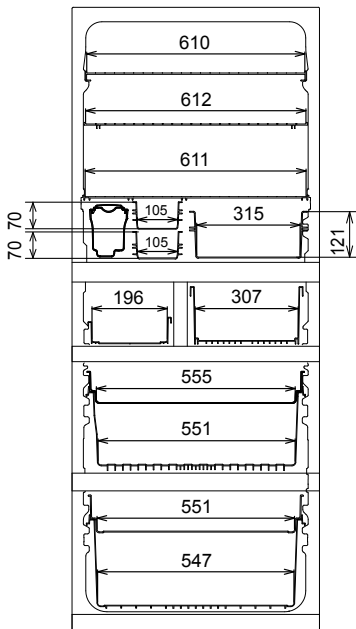
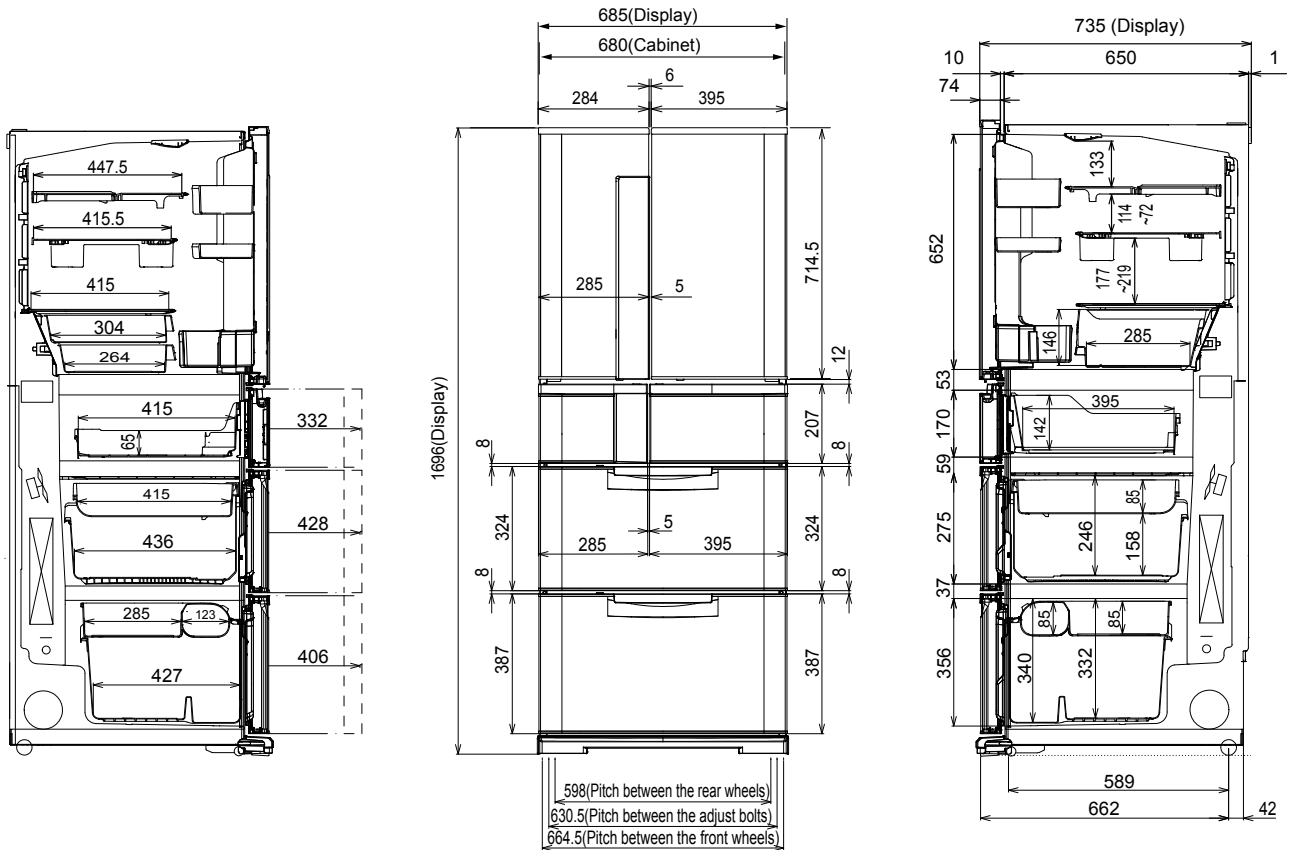


MR-EX574X-A

Unit: mm



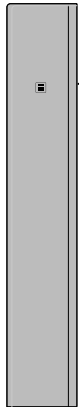
DOOR DIMENSION

	R(L)	R(R)	I	S	F	V
Height	714.5	714.5	207	207	324	387
Width	285	395	285	395	685	685

- R(L) : Refrigerator compartment (Left)
- R(R) : Refrigerator compartment (Right)
- I : Ice making compartment
- S : Select compartment [Versa compartment]
- F : Freezer compartment
- V : Vegetable compartment

## MR-EX574X-A

## Control panel



**Two-way flexishelf**  
If you take out the partitions, the shelf will be wide. If you insert the partitions, you can store high objects in the lower shelf.

**Adjustable pocket (small)**  
Vertically adjustable to 2 positions

**AUTO Shelf**  
Move the lever to the left or right to adjust the space between the shelves.

**Small item holder**

**Bottle pocket (small)**

## Rotating partition

Do not close the door while the rotating partition is opened out to the front. If you open or close the doors with force, the rotating partition may open to the front. Open and close the doors slowly. (Otherwise it may be damaged.)

**Small item case (lower)**

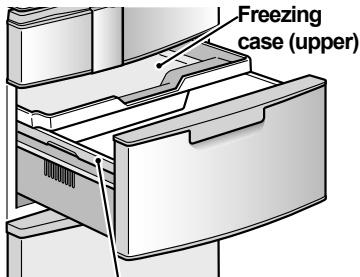
**Small item case (upper)**

**Ice making compartment**

**Freezer compartment**

**Vegetable compartment**

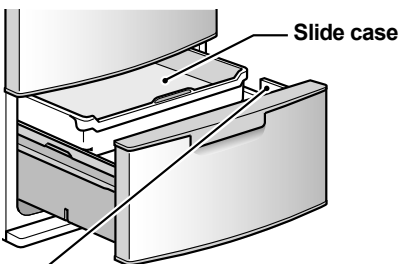
## Freezer compartment



**Freezing case (upper)**

**Freezing case (lower)**

## Vegetable compartment



**Slide case**

**Vegetable case**

## Refrigerator compartment

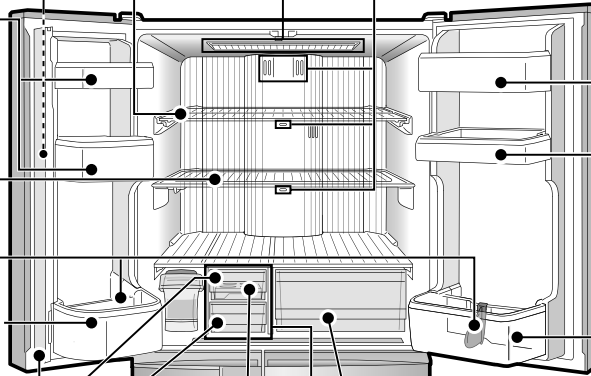
## Adjustable pocket:

- The lower (short) adjustable pockets (large and small) are 32 mm smaller.
- The upper adjustable pockets (large and small) are non-adjustable.

**Interior light**  
The interior light uses 10 LEDs.

**Air outlet**

If food with a high water content is placed near the air outlets, it may freeze.



**Adjustable pocket (large)**  
Vertically adjustable to 2 positions

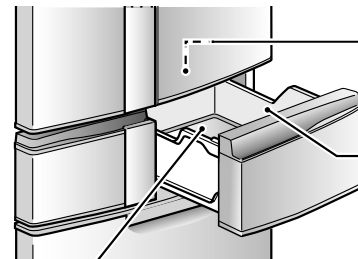
**Bottle pocket (large)**

**Versa compartment**

**Chilled (-3 to 3 °C)**

**Slide chilled case**  
Store food such as meat, fish, processed food (fish cake, ham, etc.) and yoghurt.

**Versa compartment**



**Infrared sensor**  
The food temperature is detected with an infrared sensor.

**Versa case**

**Aluminum tray**

The cold tray quickly cools the food.

## Ice making compartment (Automatic ice maker)

**Water tank cap**

**Water tank lid**  
The lid can be set on the tank in both directions, facing the front or rear.

**Water tank (about 1.2 L)**

**Tanke pipe**  
**Water supply pump**  
**Chlorine-Cleaning filter**

**Ice tray**  
It can be removed for cleaning.

**Soundproof mat**  
Reduces the sound of dropping ice. Do not dispose of it.

**Ice server**

## Water tank setting position line

This is the guideline for the water tank setting position. Push in the water tank until it makes contact with the inner side. Make sure that the line can be seen in front of the water tank.

**Water supply pipe**

**Ice tray lock lever**

**Ice making compartment label**  
**Ice storage box**