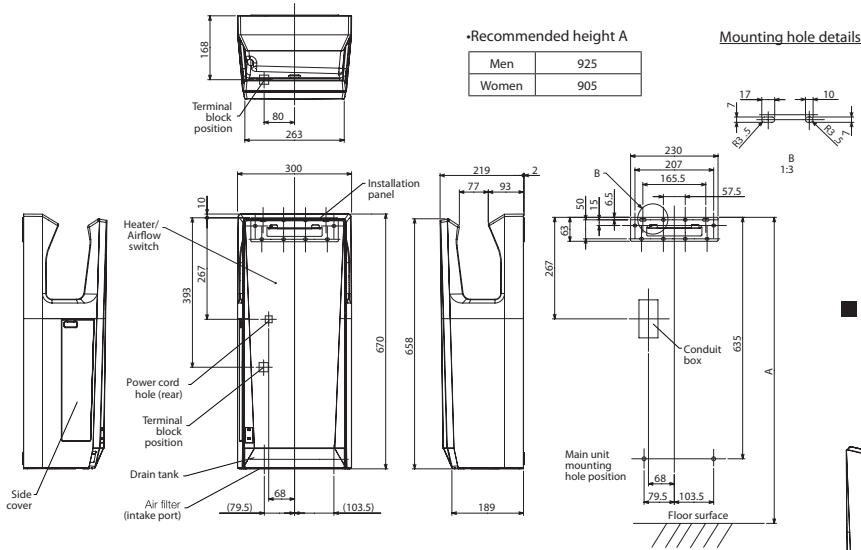
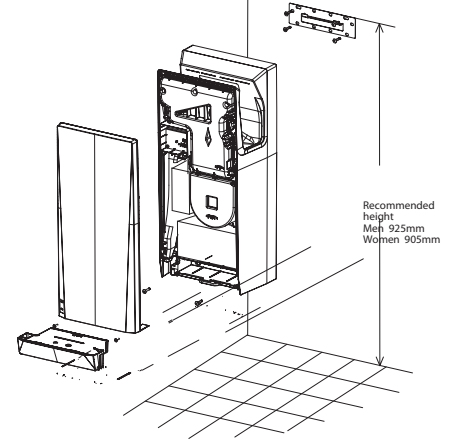


■ Dimensions



■ Mounting Diagram



- For fastening main unit mounting screws, use a Phillips(+) screwdriver with a shaft length of at least 150mm.
- Mount the unit so that the left-side cover is removable and the rating label is visible. (At least 150mm, but 200mm or more is recommended. Embedded portion is excluded.) Allow 200mm or more to enable the water drainage duct to be checked after cleaning.
- Allow at least 130mm between the bottom surface (air intake port) of the unit and the floor surface.

(Unit: mm)