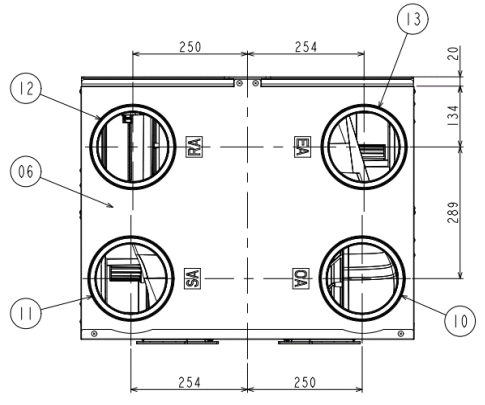
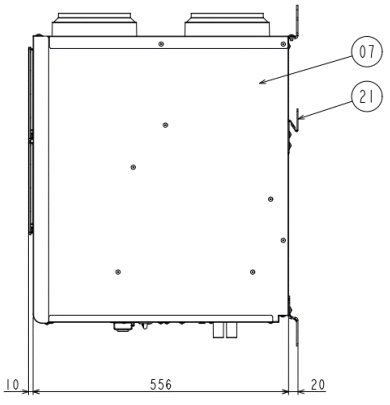
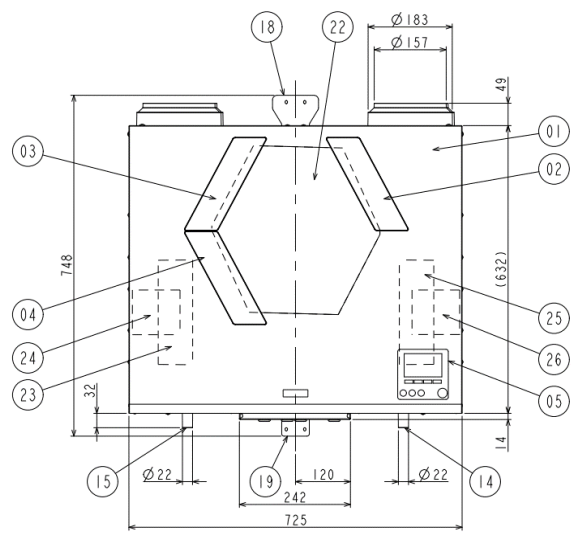
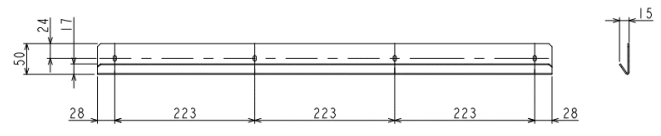


■ Outline drawings

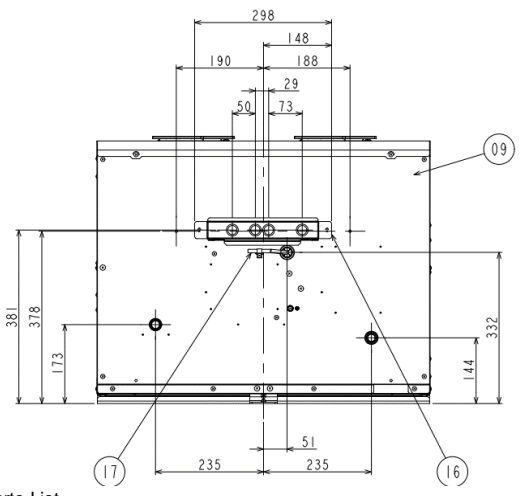
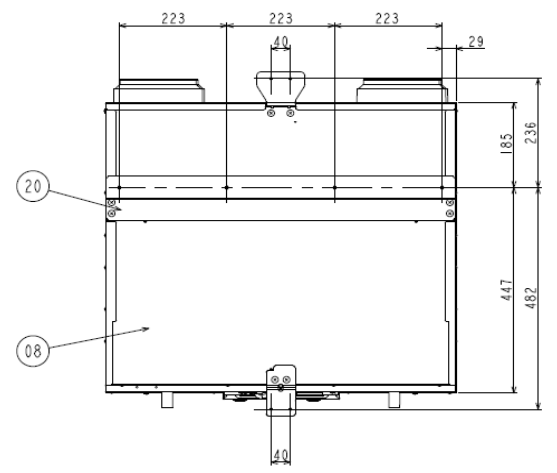
|  |      |       |
|--|------|-------|
|  | UNIT | SCALE |
|  | mm   | N.T.S |



Wall bracket



Back side of the unit



Parts List

| No. | PARTS NAME        | MATERIAL               | REMARKS               | No. | PARTS NAME             | MATERIAL         | REMARKS               |
|-----|-------------------|------------------------|-----------------------|-----|------------------------|------------------|-----------------------|
| 01  | Front Casing      | Painted metal          | Munsell 6.2PB 8.8/1.6 | 14  | Drain pipe (EA)        | Synthetic Resin  |                       |
| 02  | Filter Cover (OA) | Synthetic Resin        |                       | 15  | Drain pipe (SA)        | Synthetic Resin  |                       |
| 03  | Filter Cover (RA) | Synthetic Resin        |                       | 16  | PCB Under Cover        | Steel sheet      | Munsell 6.2PB 8.8/1.6 |
| 04  | Filter Cover (SA) | Synthetic Resin        |                       | 17  | Power Supply Cord      | —                |                       |
| 05  | Controller        | —                      |                       | 18  | Wall Mount Hook Top    | Galvanized Steel |                       |
| 06  | Top Casing        | Painted metal          | Munsell 6.2PB 8.8/1.6 | 19  | Wall Mount Hook Down   | Galvanized Steel |                       |
| 07  | Side Casing       | Painted metal          | Munsell 6.2PB 8.8/1.6 | 20  | Wall Mount Hook Center | Galvanized Steel |                       |
| 08  | Back Casing       | Galvanized Steel Sheet |                       | 21  | Wall Bracket           | Galvanized Steel |                       |
| 09  | Bottom Casing     | Painted metal          | Munsell 6.2PB 8.8/1.6 | 22  | Heat Exchanger         | Synthetic Resin  |                       |
| 10  | Pipe Guide (OA)   | Synthetic Resin        |                       | 23  | Air Supply Fan         | Synthetic Resin  |                       |
| 11  | Pipe Guide (SA)   | Synthetic Resin        |                       | 24  | Air Supply Fan Motor   | DC               |                       |
| 12  | Pipe Guide (RA)   | Synthetic Resin        |                       | 25  | Air Exhaust Fan        | Synthetic Resin  |                       |
| 13  | Pipe Guide (EA)   | Synthetic Resin        |                       | 26  | Air Exhaust Fan Motor  | DC               |                       |

※OA : Outdoor Air, SA : Supply Air, RA : Return Air, EA : Exhaust Air

OUTLINE DRAWINGS

※Specification may be subject to change without notice.



|           |        |                                  |     |
|-----------|--------|----------------------------------|-----|
| DATE      | TYPE   | Heat Recovery Ventilator LOSSNAY |     |
| 16-Apr-21 | MODEL  | VL-500CZPVU-R-E                  |     |
|           | NUMBER | N19SGGD0005A                     | 3/6 |